



## JT-010mm & JT-010mb

### Wide Range of Use

JeoTes™ was founded in 2006 and started to deliver its services with its experienced and dedicated staff. Since then, JeoTes™ continues to support its customers with their standard or customized requirements with the state of art technology suiting their needs as required by their industry.

JeoTes™ has a wide range of Plate heat exchangers used in almost all industries. It provides solutions suitable for diversified applications with its wide range of gasket and plate types as well. Among these applications it is worth to list the followings;

### Applications

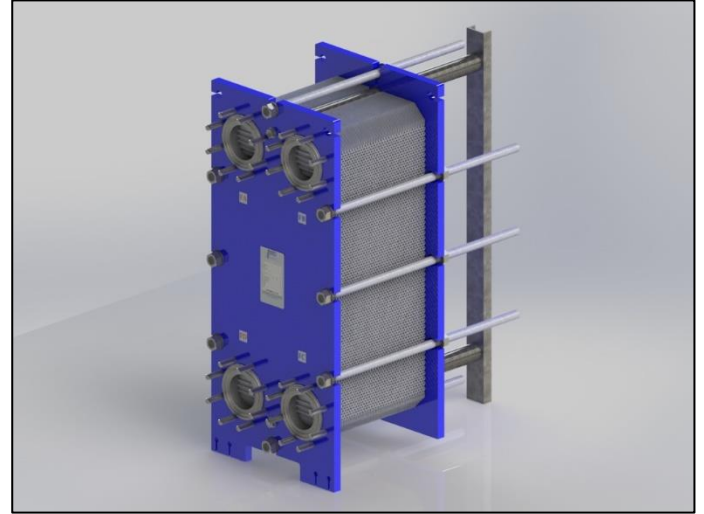
- Biotech and Pharmaceutical
- Steel
- Marine and Transportation
- Energy / Power and Utilities
- Home and Personal Care
- Food, Dairy and Beverage Industry
- HVAC
- Pulp and Paper
- Chemicals
- Mining, Minerals and Pigments
- Machinery and Manufacturing Industry
- Refrigeration
- Water and Waste Treatment
- Semiconductor and Electronics

### Benefits

- High Energy Efficiency
- Low Operating Cost
- Flexible Configuration
- Replaceable Heat Transfer Area
- Easy to Install, Easy to Remove and Service
- Improved Design
- Automatic Cleaning System
- JeoTes™ Warranty and Service Assurance Features

### Features

- JeoTes™ Practice (Hang-On Type) Gasket
- Nut Fixed to Stud
- Stainless Steel / Steel
- Internal Thread / External Thread



PN10, PN16 etc. Suitable for Pressure Class

### Increasing Performance with JeoTes™ Assurance

With our comprehensive service portfolio, JeoTes™ ensures the best performance for your product requirements throughout its physical life. JeoTes™ assures you with material quality, large spare parts stock, expert staff and competent after-sales services.

### Start-up

- Installation
- Installation Supervision

### Support

- Special Stock
- Technical Documentation
- Support to Phone
- Troubleshooting

### Maintenance

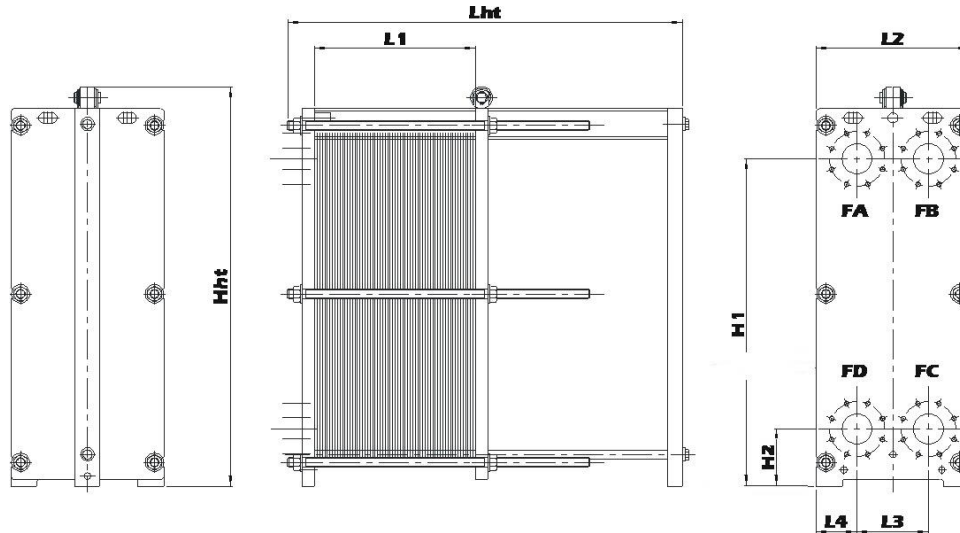
- Cleaning, Renovation and Repair Services
- Service Vehicles Supply
- Spare Part Support

### Required for The Offer

- Fluid Type
- Inlet – Outlet Temperature and Capacity
- Flow Rate or Capacity
- Fluid Thermodynamic Properties (in Special Fluids)
- Working Pressure
- Maximum Allowable Pressure Loss



### DIMENSIONS



<b>L2</b>	470,00	mm	<b>Hht</b>	1069,00	mm
<b>L3</b>	225,00	mm	<b>H1</b>	919,00	mm
<b>L4</b>	122,50	mm	<b>H2</b>	200,00	mm
<b>L1/Lht</b>	Depends on the number of plates				

### Connections

<b>Flange Connection</b>	EN 1092-1 DN100
--------------------------	-----------------

### DETAILS

#### Working Conditions

<b>Design Pressures (bar)</b>	10, 16, 25
<b>Design Temperatures (°C)</b>	120, 150, 165, 180

#### Material

<b>Heat Transfer Plate</b>	AISI316L, AISI304, C276, Titanium, SMO, Hastelloy
<b>Sealing Gasket</b>	NBR, HNBR, EPDM, FKM-A/G
<b>Connections</b>	Steel, Stainless Steel, Rubber Line
<b>Frame</b>	Epoxy Painted Steel, Stainless Steel